

SUPPLEMENT

1. Scope

- A. This Supplement contains the technical properties, the spare parts information, and an exploded-view drawing to help identify the parts that can be ordered. The restraint system is manufactured by Pacific Scientific Company, HTL/Kin-Tech Division, Duarte, California.
- B. The testing and fault isolation procedures, and the disassembly, repair, check, cleaning, fits and clearances, and assembly instructions are contained in Component Maintenance Manual 25-11-59.

2. Technical Properties

- A. The technical properties of the restraint system are given in the table below.

Table 1. Technical Properties

Property	Specifications
Description	
Manufacturer	Pacific Scientific, HTL/Kin-Tech Division
Part Numbers	P/N 0108900 Series
Nomenclature	Crew Seat Restraint System
Type	Single Inertia Reel with Manual Control
Functional Properties	
Rated Assembly Strength	Conforms to FAA TSO-C114 and TSO C22f
Reel and Shoulder Harness	2000 pound (8,89 kN) ultimate load
Lap Belt	1500 pound (6,67 kN) ultimate load
Retraction Force	1.0 to 4.0 pounds (4,5 to 17,8 kN)
No Lock	2.0G
Lock	3.0G
Dimensions	
Shoulder Straps	31.20 inches (79,25 cm) extended
Lap Belt	
P/N 0108900-[]	64.00 inches (162,56 cm) extended
P/N 0108900-41, P/N 0108900-43,	62.00 inches (157,48 cm) extended
P/N 0108900-49,	
and P/N 0108900-51	
Crotch Strap	21.50 inches (54,61 cm) extended

3. Differences Between Configurations

- A. The basic differences in the various restraint systems are the color of the belts, straps, and harnesses which are fixed to the rotary buckle assembly. Refer to Table 2 for specific configuration differences.

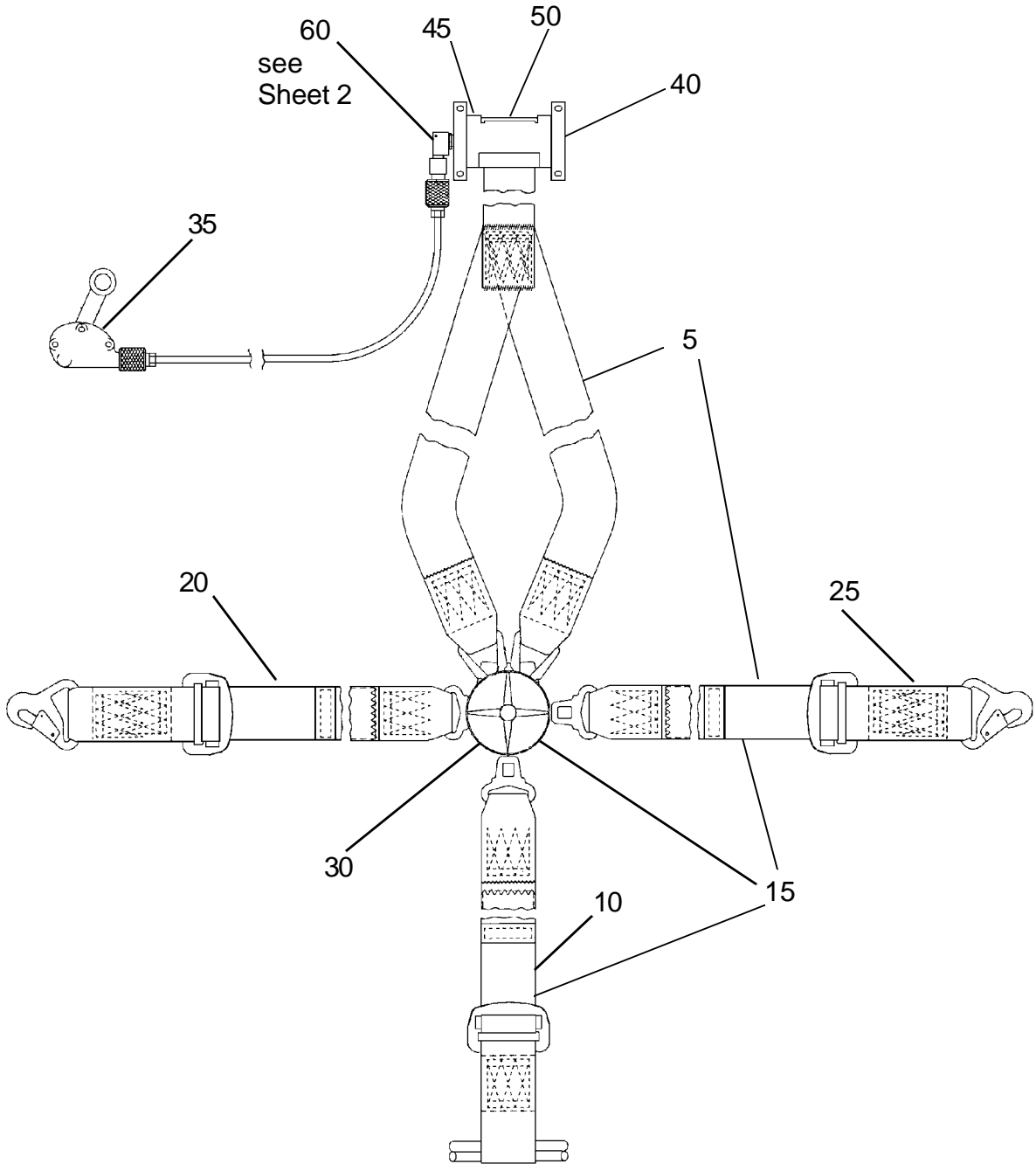
Table 2. Differences in Configurations

Configuration Dash No.	Strap/Belt Color	Fixed Lap Belt
-01, -15, -41, -49, -53, -73, -81	Black	RH Lap Belt
-03, -17, -43, -51, -55, -75, -83	Black	LH Lap Belt
-05, -13, -85	Black	Crotch Strap
-25	Navy blue	RH Lap Belt
-27	Navy blue	LH Lap Belt
-29, -31	Navy blue	Crotch Strap
-67	Gray	RH Lap Belt
-69	Gray	LH Lap Belt
-71	Gray	Crotch Strap
-61	Beige	RH Lap Belt
-63	Beige	LH Lap Belt
-65	Beige	Crotch Strap

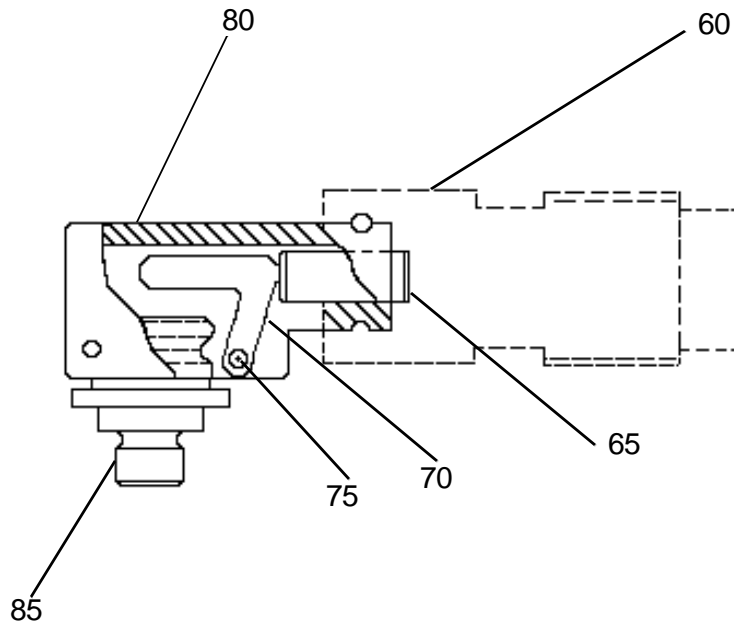
4. Detailed Parts List

- A. The items in the detailed parts list are made or supplied by the HTL/Kin-Tech Division of Pacific Scientific, or by the suppliers shown in this list. Pacific Scientific does not give approval for items that are procured from suppliers who are not shown in this list. Approval from Pacific Scientific is not necessary for government and industry standard parts.

THIS IS A BLANK PAGE



IPL Figure 1. Restraint System (Sheet 1 of 2)



IPL Figure 1. Restraint System (Sheet 2 of 2)

Fig &	Item	Part Number	Airline		Eff Code	UPA
			Part Number	1234567Nomenclature		
1	- 1	0108900-01		RESTRAINT SYSTEM	A	RF
	- 1A	0108900-03		RESTRAINT SYSTEM	B	RF
	- 1B	0108900-05		RESTRAINT SYSTEM	C	RF
	- 1C	0108900-13		RESTRAINT SYSTEM	D	RF
	- 1D	0108900-15		RESTRAINT SYSTEM	E	RF
	- 1E	0108900-17		RESTRAINT SYSTEM	F	RF
	- 1F	0108900-25		RESTRAINT SYSTEM	G	RF
	- 1G	0108900-27		RESTRAINT SYSTEM	H	RF
	- 1H	0108900-29		RESTRAINT SYSTEM	J	RF
	- 1J	0108900-31		RESTRAINT SYSTEM	K	RF
	- 1K	0108900-41		RESTRAINT SYSTEM	L	RF
	- 1L	0108900-43		RESTRAINT SYSTEM	M	RF
	- 1M	0108900-49		RESTRAINT SYSTEM	N	RF
	- 1N	0108900-51		RESTRAINT SYSTEM	P	RF
	- 1P	0108900-53		RESTRAINT SYSTEM	Q	RF
	- 1Q	0108900-55		RESTRAINT SYSTEM	R	RF
	- 1R	0108900-61		RESTRAINT SYSTEM	S	RF
	- 1S	0108900-63		RESTRAINT SYSTEM	T	RF
	- 1T	0108900-65		RESTRAINT SYSTEM	U	RF
	- 1U	0108900-67		RESTRAINT SYSTEM	V	RF
	- 1V	0108900-69		RESTRAINT SYSTEM	W	RF
	- 1W	0108900-71		RESTRAINT SYSTEM	X	RF
	- 1X	0108900-73		RESTRAINT SYSTEM	Y	RF
	- 1Y	0108900-75		RESTRAINT SYSTEM	Z	RF
	- 1Z	0108900-81		RESTRAINT SYSTEM	AA	RF
	- 1AA	0108900-83		RESTRAINT SYSTEM	AB	RF
	- 1AB	0108900-85		RESTRAINT SYSTEM	AC	RF
	5	0108900-101		. REEL AND SHOULDER HARNESS ASSEMBLY	L-Q,R	1
	- 5A	0108900-103		. REEL AND SHOULDER HARNESS ASSEMBLY	G,H,J	1
	- 5B	0108900-105		. REEL AND SHOULDER HARNESS ASSEMBLY	S-U,	1
	- 5C	0108900-107		. REEL AND SHOULDER HARNESS ASSEMBLY	V-,X	1
	- 5D	0108900-109		. REEL AND SHOULDER HARNESS ASSEMBLY	Y,Z	1
	- 5E	0108900-117		. REEL AND SHOULDER HARNESS ASSEMBLY	D	1
	- 5F	0108900-119		. REEL AND SHOULDER HARNESS ASSEMBLY	K	1
	- 5G	0108900-121		. REEL AND SHOULDER HARNESS ASSEMBLY	A,-C, E,F, AA-AC	1

- ITEM NOT ILLUSTRATED

Fig &	Item	Part Number	Airline	Eff	UPA
			Part Number 1234567Nomenclature		
1	10	1101613-01	. CROTCH STRAP	A-D, L-P, AA-AC	1
-	10A	1101613-03	. CROTCH STRAP	G-K	1
-	10B	1101613-05	. CROTCH STRAP	S-U	1
-	10C	1101613-07	. CROTCH STRAP	V-X	1
	15	0108900-07	. LAP BELT ASSEMBLY (REFERENCE ONLY)	A,E,N,Q	1
-	15A	0108900-09	. LAP BELT ASSEMBLY (REFERENCE ONLY)	B,F,P,R	1
-	15B	0108900-11	. LAP BELT ASSEMBLY (REFERENCE ONLY)	C,D	1
-	15C	0108900-19	. LAP BELT ASSEMBLY (REFERENCE ONLY)	G	1
-	15D	0108900-21	. LAP BELT ASSEMBLY (REFERENCE ONLY)	H	1
-	15E	0108900-23	. LAP BELT ASSEMBLY (REFERENCE ONLY)	J,K	1
-	15F	0108900-45	. LAP BELT ASSEMBLY (REFERENCE ONLY)	L	1
-	15G	0108900-47	. LAP BELT ASSEMBLY (REFERENCE ONLY)	M	1
-	15H	1101964-01	. LAP BELT ASSEMBLY	S	1
-	15J	1101964-03	. LAP BELT ASSEMBLY	T	1
-	15K	1101964-05	. LAP BELT ASSEMBLY	U	1
-	15L	1101964-07	. LAP BELT ASSEMBLY	Y	1
-	15M	1101964-09	. LAP BELT ASSEMBLY	Z	1
-	15N	1101964-13	. LAP BELT ASSEMBLY	V	1
-	15P	1101964-15	. LAP BELT ASSEMBLY	W	1
-	15Q	1101964-17	. LAP BELT ASSEMBLY	X	1
-	15R	1101964-21	. LAP BELT ASSEMBLY	AA	1
-	15S	1101964-25	. LAP BELT ASSEMBLY	AC	1
	20	1101612-03	. LAP BELT, RH (USED ON NHA ITEMS 15, -15A, AND -15B)	A-F, N-R	1
-	20A	1101612-07	. LAP BELT, RH (USED ON NHA ITEMS -15C, -15D, AND -15E)	G-K	1
-	20B	1101863-01	. LAP BELT, RH (USED ON NHA ITEMS 15F AND -15G)	L,M	1
	25	1101612-01	. LAP BELT, LH (USED ON NHA ITEMS 15, -15A, AND -15B)	A-F, N-R	1
-	25A	1101612-05	. LAP BELT, LH (USED ON NHA ITEMS -15C, -15D, AND -15E)	G-K	1
-	25B	1101863-01	. LAP BELT, LH (USED ON NHA ITEMS 15F AND -15G)	A-F, N-R	1
	30	1101550-01	. ROTARY BUCKLE (USED ON NHA ITEMS 15, -15F, AND -15G)	A, E, F, L, N, Q,	1

- ITEM NOT ILLUSTRATED

Fig &	Item	Part Number	Airline		Eff Code	UPA
			Part Number	1234567Nomenclature		
1	- 30A	1101550-03		. ROTARY BUCKLE (USED ON NHA ITEMS -15A, -15C, AND -15D)	B,F,G, H, P,R	1
	- 30B	1101550-07		. ROTARY BUCKLE (USED ON NHA ITEMS -15B AND -15E)	C,D,J,K	1
	35	0108370-30		. CABLE AND CONTROL ASSEMBLY	A-C, E-J,L-X, AA-AC	1
	40	0108285-3		. MOUNTING BRACKET	L-R	2
	45	0108313-1		. STRAP GUIDE (USED ON NHA ITEMS 5, -5A, -5B, -5C, -5D, AND -5G)	A-C, E-J, L-AC	1
	50	0108327-07		. STRAP SUPPORT SPACER (USED ON NHA ITEMS 5, -5A, -5B, -5C, -5D, AND -5G)	A-C, E-J, L-AC	1
	- 55	MS24665-134		. COTTER PIN	L-R	1
	60	0108360-1		. ADAPTER	L-R	1
	65	0108301-1		. IDLER	L-R	1
	70	0108302-1		. BELLCRANK	L-R	1
	75	0913100-98		. PIN	L-R	1
	80	0108299-1		. ADAPTER	L-R	1
	85	0108992-1		..ADAPTER	L-R	1

- ITEM NOT ILLUSTRATED

THIS IS A BLANK PAGE