

SUPPLEMENT

1. Scope

- A. This Supplement contains the technical properties, the spare parts information, and an exploded-view drawing to help identify the parts that can be ordered. The restraint system is manufactured by Pacific Scientific Company, HTL/Kin-Tech Division, Duarte, California.
- B. The testing and fault isolation procedures, and the disassembly, repair, check, cleaning, fits and clearances, and assembly instructions are contained in Component Maintenance Manual 25-11-59.

2. Technical Properties

- A. The technical properties of the restraint system are given in the table below.

Table 1. Technical Properties

Property	Specifications
Description Manufacturer Part Numbers Nomenclature Type	Pacific Scientific, HTL/Kin-Tech Division P/N 1107033 Series Restraint System Integral Buckle and Harness
Functional Properties Rated Assembly Strength Lap Belt and Sholder Harness Retraction Force No Lock Lock	Conforms to FAA TSO-C114 and TSO C22f 1500 pound (6,67 kN) ultimate load 2.25 to 3.25 pounds (4,5 to 17,2 kN) 2.0G 3.0G
Dimensions Shoulder Straps Lap Belt	38.50 to 39.00 inches (97,79 to 99,06 cm) extended 42.00 ±1.0 inches (106,68 ± 2,54 cm) extended

3. Differences Between Configurations

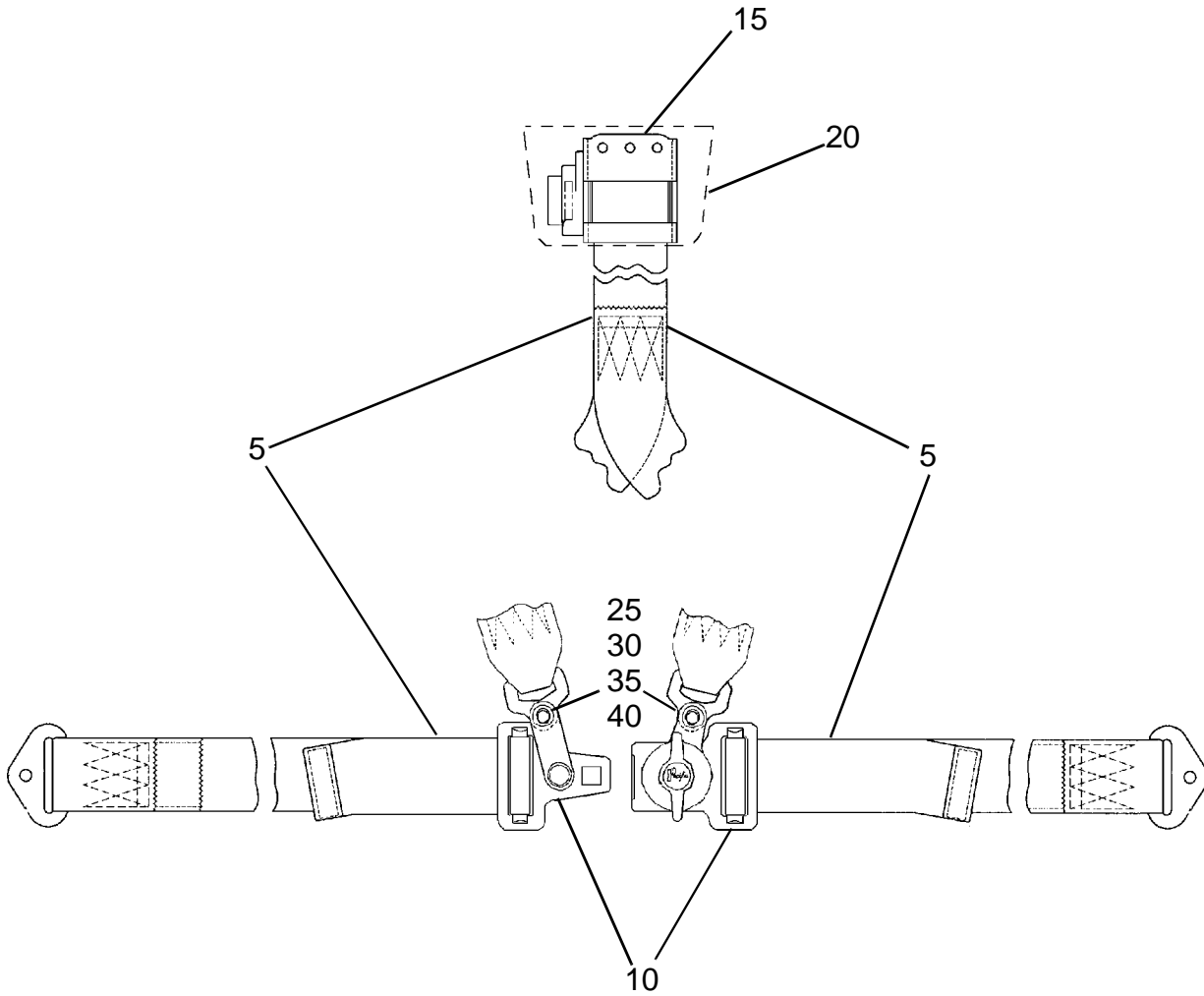
A. The basic differences in the various restraint systems are the color of the belts and straps. Refer to Table 2 for specific configuration differences.

Table 2. Differences in Configurations

Configuration Dash No.	Strap/Belt Color
-01, -11, -31	Black
-03, -13, -33	Gray
-05, -15, -35	Brown
-07, -17, -21, -37, -41	Gold
-09, -19, -39	Beige
-23, -43	Olive Drab
-45	Maroon
-47	Bronze
-49	Tan
-51	Navy
-53	Midnight Blue
-55	New Age Blue

4. Detailed Parts List

- A. The items in the detailed parts list are made or supplied by the HTL/Kin-Tech Division of Pacific Scientific, or by the suppliers shown in this list. Pacific Scientific does not give approval for items that are procured from suppliers who are not shown in this list. Approval from Pacific Scientific is not necessary for government and industry standard parts.



IPL Figure 1. Restraint System

Fig &	Item	Part Number	Airline		Eff	
			Part Number	1234567Nomenclature	Code	UPA
1	- 1	1107033-01		RESTRAINT SYSTEM	A	RF
	- 1A	1107033-03		RESTRAINT SYSTEM	B	RF
	- 1B	1107033-05		RESTRAINT SYSTEM	C	RF
	- 1C	1107033-07		RESTRAINT SYSTEM	D	RF
	- 1D	1107033-09		RESTRAINT SYSTEM	E	RF
	- 1E	1107033-11		RESTRAINT SYSTEM	F	RF
	- 1F	1107033-13		RESTRAINT SYSTEM	G	RF
	- 1G	1107033-15		RESTRAINT SYSTEM	H	RF
	- 1H	1107033-17		RESTRAINT SYSTEM	J	RF
	- 1J	1107033-19		RESTRAINT SYSTEM	K	RF
	- 1K	1107033-21		RESTRAINT SYSTEM	L	RF
	- 1L	1107033-23		RESTRAINT SYSTEM	M	RF
	- 1M	1107033-31		RESTRAINT SYSTEM	N	RF
	- 1N	1107033-33		RESTRAINT SYSTEM	P	RF
	- 1P	1107033-35		RESTRAINT SYSTEM	Q	RF
	- 1Q	1107033-37		RESTRAINT SYSTEM	R	RF
	- 1R	1107033-39		RESTRAINT SYSTEM	S	RF
	- 1S	1107033-41		RESTRAINT SYSTEM	T	RF
	- 1T	1107033-43		RESTRAINT SYSTEM	U	RF
	- 1U	1107033-45		RESTRAINT SYSTEM	V	RF
	- 1V	1107033-47		RESTRAINT SYSTEM	W	RF
	- 1W	1107033-49		RESTRAINT SYSTEM	X	RF
	- 1X	1107033-51		RESTRAINT SYSTEM	Y	RF
	- 1Y	1107033-53		RESTRAINT SYSTEM	Z	RF
	- 1Z	1107033-55		RESTRAINT SYSTEM	AA	RF
	5	1107260-01		. LAP BELT AND SHOULDER HARNESS ASSEMBLY (NOT PROCURABLE, ORDER NHA)	A	1
	- 5A	1107260-03		. LAP BELT AND SHOULDER HARNESS ASSEMBLY (NOT PROCURABLE, ORDER NHA)	B	1
	- 5B	1107260-05		. LAP BELT AND SHOULDER HARNESS ASSEMBLY (NOT PROCURABLE, ORDER NHA)	C	1
	- 5C	1107260-07		. LAP BELT AND SHOULDER HARNESS ASSEMBLY (NOT PROCURABLE, ORDER NHA)	D	1
	- 5D	1107260-09		. LAP BELT AND SHOULDER HARNESS ASSEMBLY (NOT PROCURABLE, ORDER NHA)	E	1
	- 5E	1107260-11		. LAP BELT AND SHOULDER HARNESS ASSEMBLY (NOT PROCURABLE, ORDER NHA)	F,N	1
	- 5F	1107260-13		. LAP BELT AND SHOULDER HARNESS ASSEMBLY (NOT PROCURABLE, ORDER NHA)	G,P	1

- ITEM NOT ILLUSTRATED

Fig &	Item	Part Number	Airline Part Number	1234567Nomenclature	Eff Code	UPA
1	-	5G	1107260-15	. LAP BELT AND SHOULDER HARNESS ASSEMBLY (NOT PROCURABLE, ORDER NHA)	H,Q	1
	-	5H	1107260-17	. LAP BELT AND SHOULDER HARNESS ASSEMBLY (NOT PROCURABLE, ORDER NHA)	J,R	1
	-	5J	1107260-19	. LAP BELT AND SHOULDER HARNESS ASSEMBLY (NOT PROCURABLE, ORDER NHA)	K,S	1
	-	5K	1107260-21	. LAP BELT AND SHOULDER HARNESS ASSEMBLY (NOT PROCURABLE, ORDER NHA)	L,T	1
	-	5L	1107260-23	. LAP BELT AND SHOULDER HARNESS ASSEMBLY (NOT PROCURABLE, ORDER NHA)	M,U	1
	-	5M	1107260-25	. LAP BELT AND SHOULDER HARNESS ASSEMBLY (NOT PROCURABLE, ORDER NHA)	V	1
	-	5N	1107260-27	. LAP BELT AND SHOULDER HARNESS ASSEMBLY (NOT PROCURABLE, ORDER NHA)	W	1
	-	5P	1107260-29	. LAP BELT AND SHOULDER HARNESS ASSEMBLY (NOT PROCURABLE, ORDER NHA)	X	1
	-	5Q	1107260-31	. LAP BELT AND SHOULDER HARNESS ASSEMBLY (NOT PROCURABLE, ORDER NHA)	Y	1
	-	5R	1107260-33	. LAP BELT AND SHOULDER HARNESS ASSEMBLY (NOT PROCURABLE, ORDER NHA)	Z	1
	-	5S	1107260-35	. LAP BELT AND SHOULDER HARNESS ASSEMBLY (NOT PROCURABLE, ORDER NHA)	AA	1
		10	1101613-01	. BUCKLE, LEFT HAND (NOT PROCURABLE, ORDER NHA)	A-E	1
	-	10A	1101613-03	. BUCKLE, RIGHT HAND (NOT PROCURABLE, ORDER NHA)	A-E	1
	-	10B	1101613-05	. BUCKLE, LEFT HAND (NOT PROCURABLE, ORDER NHA)	F-AA	1
	-	10C	1101613-07	. BUCKLE, RIGHT HAND (NOT PROCURABLE, ORDER NHA)	F-AA	1
		15	1107297-01	. RETRACTOR KIT (NOT PROCURABLE, ORDER NHA)	A-E	1
	-	15A	1107297-07	. RETRACTOR KIT (NOT PROCURABLE, ORDER NHA)	F-AA	1
		20	0107357-01	. COVER (NOT PROCURABLE, ORDER NHA)	N-AA	1
		25	1107382-01	. BUSHING (USED WITH ITEMS 5 AND 10)	F-AA	2

- ITEM NOT ILLUSTRATED

Fig &	Item	Part Number	Airline		Eff	
			Part Number	1234567Nomenclature	Code	UPA
1	30	MS24694-S50		. SCREW (USED WITH ITEMS 5 AND 10)	F-AA	2
	35	AN60-C10L		. WASHER (USED WITH ITEMS 5 AND 10)	F-AA	2
	40	0902100-52		. CAP NUT (USED WITH ITEMS 5 AND 10)	F-AA	2

- ITEM NOT ILLUSTRATED

THIS IS A BLANK PAGE